

SANDBLASTING MACHINE**SBM1500**

The SBM 1500 is a fully automatic sand blasting machine for rollers, equipped with abrasive recovery and cleaning device.

Thanks to the possibility to change the rotation and translation speed parameters of the rolls, this machine allow to obtain a perfectly rough surface, with the desired finishing degree.

The machine, thanks to an automatic cycle, can work unattended, reducing the machine working time. The noise level and the absolute lack of dust emission, allows the installation in any workshop.

MAX. ROLL DIMENSIONS: Ø 300 x 1600



ETA Automazione S.r.l.

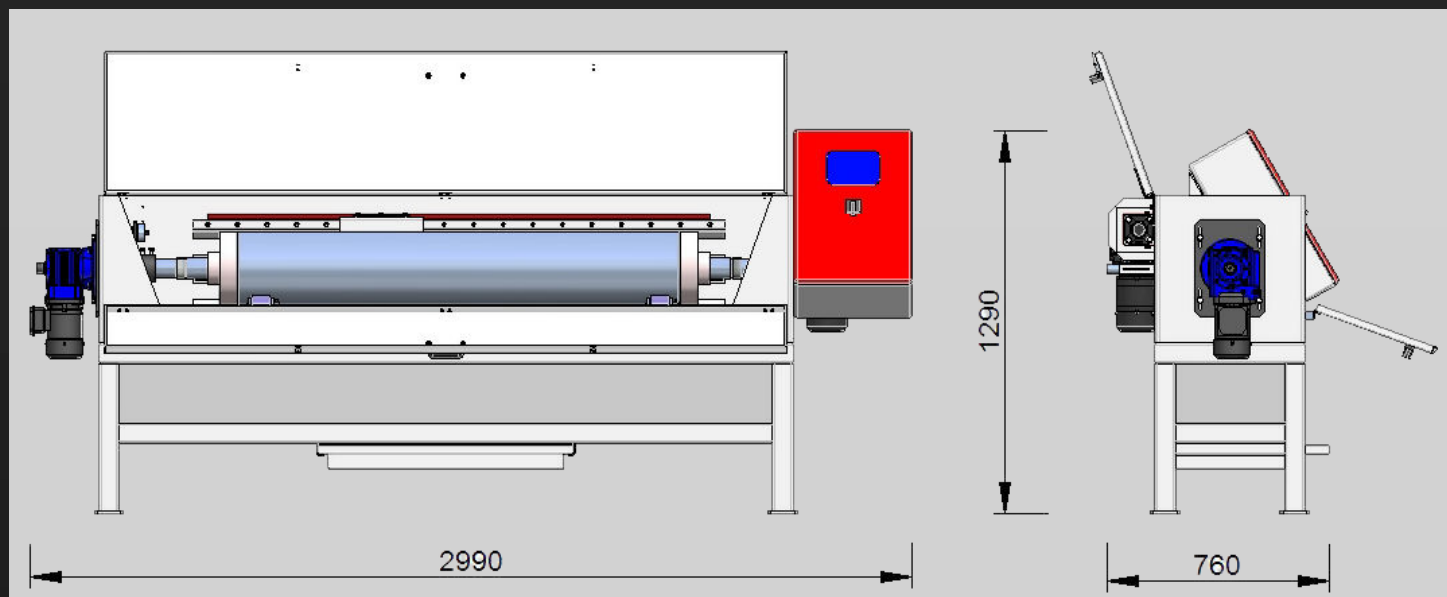
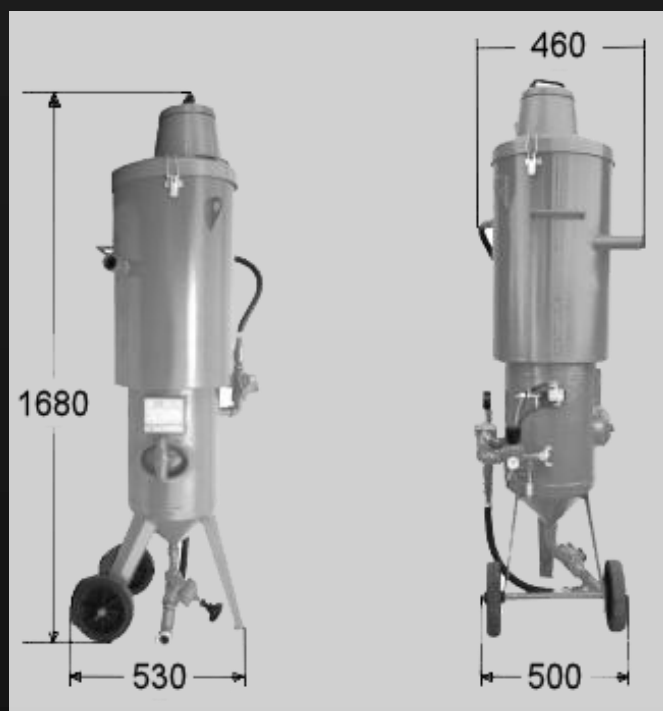
Via delle Viole, 11
26100 Cremona - Italy

Tel. +39 0372 38661
+39 0372 457403
Fax. +39 0372 413855

www.etaautomazione.it
E-mail. eta@tecnosite.it

www.etaautomazione.it

TANK CAPACITY	MACHINE WEIGHT	POWER	NOMINAL VOLTAGE	MAX. AIR CONS. at 7 bar
24 LITERS	83 Kg	2000 Watt	220 V—50 Hz	850 - 1200 lit/min.

**CABINET****SAND BLASTING MACHINE**